

SPECIFICATIONS

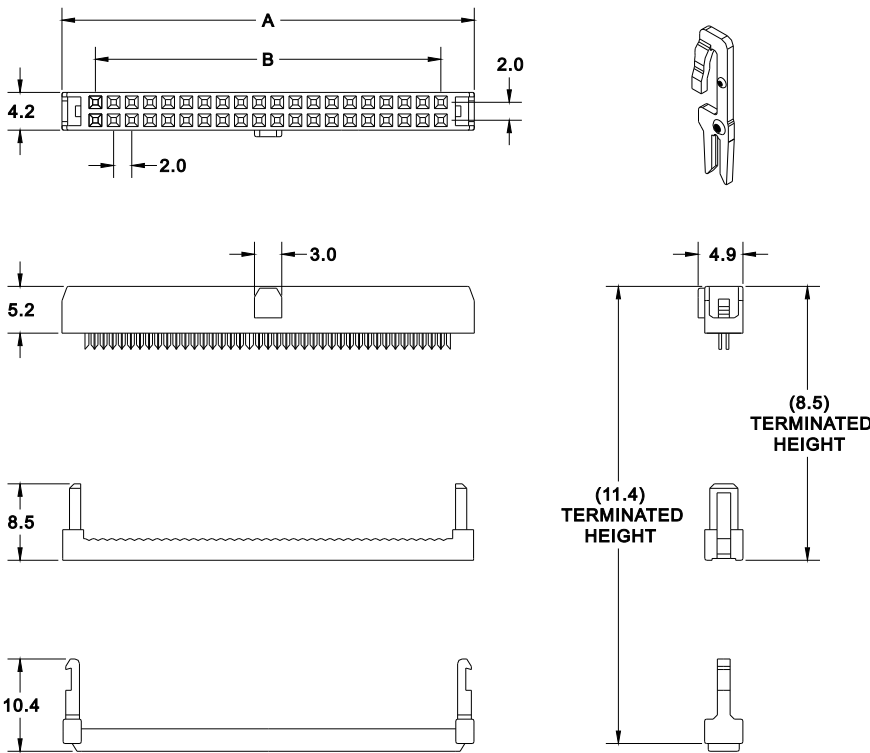
Material

Insulator : PBT, glass reinforced, rated UL 94V-0
 Contact : Phosphor Bronze

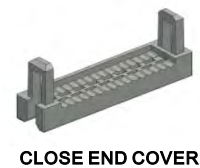
Electrical

Current Rating : 1 Amp
 Contact Resistance : 30 mΩ max.
 Insulation Resistance : 3000 MΩ min.
 Dielectric Withstanding Voltage : 500V AC for 1minute
 Operating Temperature : -40°C to +105°C

- ▶ Terminated with L02-1.00mm pitch flat ribbon cable.
- ▶ Mating Suggestion : C05a, C05d, C05e, C05j, C06a & C06s series.



POSITION	A	B
6	11.3	4.0
8	13.3	6.0
10	15.3	8.0
12	17.3	10.0
14	19.3	12.0
16	21.3	14.0
18	23.3	16.0
20	25.3	18.0
22	27.3	20.0
24	29.3	22.0
26	31.3	24.0
30	35.3	28.0
32	37.3	30.0
34	39.3	32.0
36	41.3	34.0
38	43.3	36.0
40	45.3	38.0
44	49.3	42.0
48	53.3	46.0
50	55.3	48.0
56	61.3	54.0
60	65.3	58.0
64	69.3	62.0
68	73.3	66.0



CLOSE END COVER

How to order: A05 - 1 - 2 - 3 - 4 - 5 - G(RoHS)

1.NO. OF CONTACT	2.CONTACT MATERIAL	3.CONTACT PLATING	4.SPECIAL FUNCTION	5.INSULATOR COLOR
06 08 10 12 14 16 18 20 22 24 26 30 32 34 36 38 40 44 48 50 56 60 64 68	B: PHOSPHOR BRONZE	T: TIN PLATED S: SELECTIVE G: GOLD FLASH A: 5u" INCH GOLD B: 10u" INCH GOLD C: 15u" INCH GOLD D: 30u" INCH GOLD	A: W STRAIN RELIEF W BAR B: W/O STRAIN RELIEF W BAR C: W STRAIN RELIEF W/O BAR D: W/O STRAIN RELIEF W/O BAR	1. BLACK